

Double Nojoqui Falls Assembly & Mounting Instructions

Rev. A



Welcome to the Water Wonders family. A few simple steps will ensure that your *Double Nojoqui Falls* remains a soothing, enjoyable fountain that brings the sights and sounds of nature to you. Two important considerations when choosing the proper location for your fountain are power source and a sturdy, mounting surface. To eliminate visible electrical cords, you have the option of mounting your fountain with a switched, electrical “clock box” receptacle installed into the wall directly behind the fountain. Because of its weight, it is necessary to mount this fountain directly into wall studs whose centers are normally 16” apart. Assistance in mounting your *Double Nojoqui Falls* fountain is also required.

Helpful Hints

Before getting started, keep in mind these important points which will help ensure a successful installation and smooth operation of your new fountain.

- Always wet slate before turning on pump.
- Always maintain a water level of approximately ½” from the top of the water pan.
- Be careful where the fountain is set up. Try not to place the fountain in a spot where it could potentially be bumped into or cause damage. Avoid delicate surfaces that could be damaged by splashing.
- Never use chemicals or copper cleaner on the fountain, as this will ruin the finish. Protect your fountains finish by following instructions in the Fountain Maintenance section at the end of the instructions.

Tools needed:

#2 Phillips screwdriver
Level
Tape measure
Electric drill with 3/16” bit

Wall bracket
Copper splash guard (1 vertical, 1 horizontal)
2 Copper Side Rails
Light kit (bulbs included)

Parts:

2 Slates with bracket attached
Water reservoir pan
Reservoir pan cover

2 Pumps
2 Water dispersement pipes and attached hoses
Misc. hardware

Double Nojoqui Falls

Assembly & Mounting Instructions

Rev. A

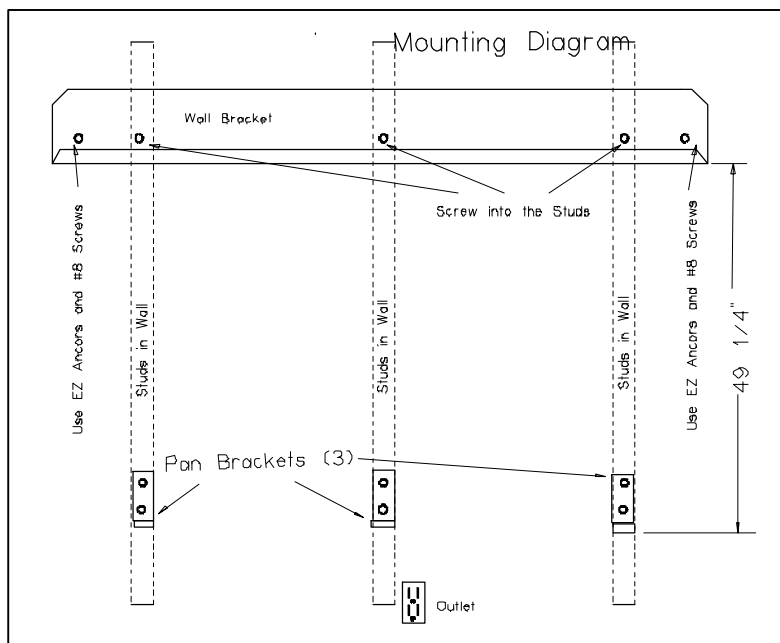
1) Layout and assess components.

Lay all the components of your fountain out in a clear space on the floor. The **Light Kit** goes at the top. The **Water Reservoir Pan** goes at the bottom. Place the pump in the reservoir pan. The **Slates** will mount to the wall on the **Wall Bracket**. Both power cords exit behind the Water Reservoir unless they are to be plugged into a switched “clock box” outlet behind the Slate. We always stipulate a Ground Fault Interrupt (GFI) type outlet with any fountain.

2) Mount the Wall and Pan Brackets

Because of the weight of the slates, you will need to mount the bracket into studs. Assuming that you do not have a “clock box”, the Water Reservoir should be mounted just above an outlet so as to hide the power cords (which will exit behind the Reservoir Pan). Usually, the power outlet is mounted immediately adjacent to the studs. Using a stud finder, determine the placement of studs in the wall and mark with a pencil. The bracket holes are drilled 16” apart, the standard distance between centers of studs. Next, decide at what height you wish to hang the fountain. The overall fountain height is approximately 60”. Using the level, mark a line on the wall where you wish the bottom of the fountain to be. Place a pan bracket on the line and mark the holes. Remove and drill 1/8” pilot hole in the wall. Mount the black pan brackets on the three studs using the provided #12 x 2½” zinc flat head Phillips screws.

Measure up 49 ¼” from the seat of the pan brackets to the bottom edge of the wall bracket. Hold the wall bracket level on the wall and mark the holes. Remove the bracket and drill 1/8” holes on all 5 marks. The three center holes must land on a stud. Insert 2- EZ anchors in the outer two holes. Replace the bracket and attach with 2- #8 x 1” pan head screws on the outer holes and ¼” lag screws in the center three holes.

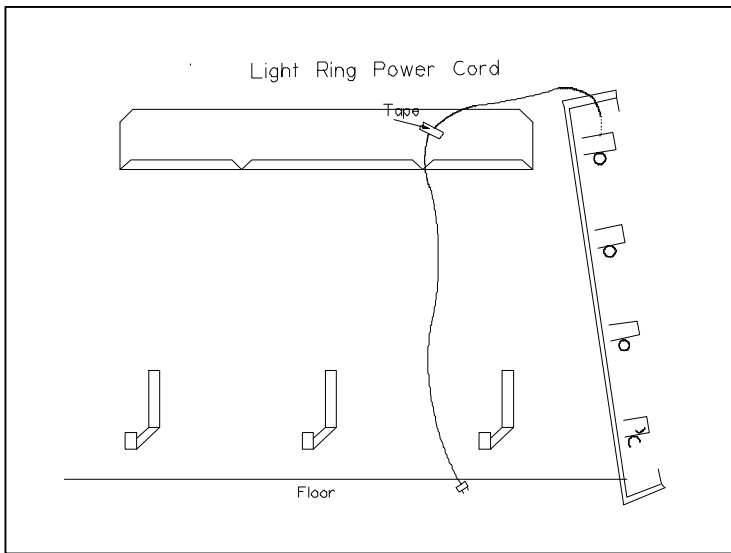


Double Nojoqui Falls Assembly & Mounting Instructions

Rev. A

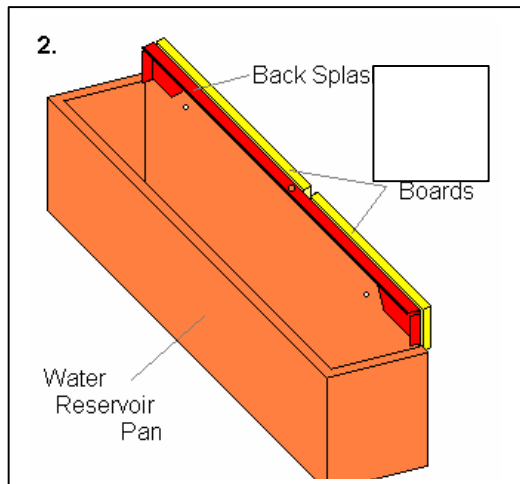
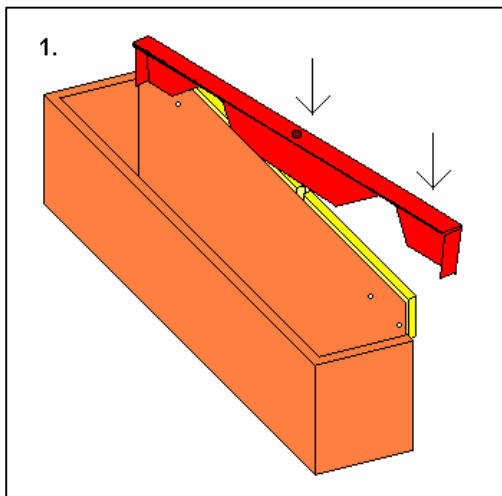
3) Place the Pan in the Pan Brackets

Place the pumps in the pan directly below the notches in the wall bracket. If you are not using a “clock box” style outlet, you must lead the power cords for both the pumps and the light kit behind the pan (not necessary if you are using a “clock box”). Do not plug the cords in yet.



4) Clip on the Rear Splashguard

Before clipping the rear splashguard on, slide it under the pump cords. Clip the rear splashguard over the back edge of the back pan with both ends of the guard over the front while the middle of the guard slides down between the back of the water reservoir pan and the masonite boards. Center the rear splashguard in the water reservoir pan.

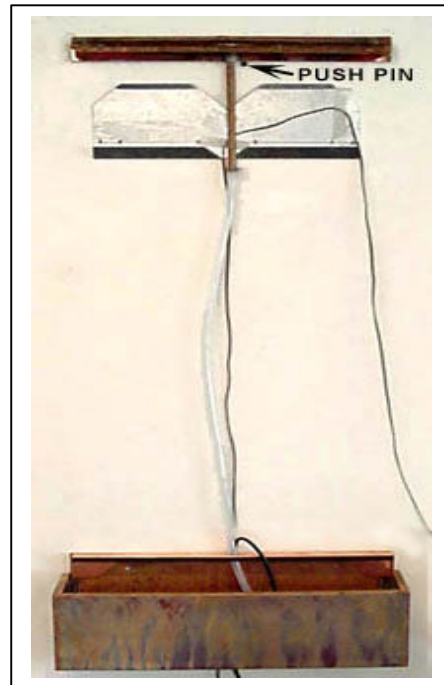


Double Nojoqui Falls Assembly & Mounting Instructions

Rev. A

5) Install Water Disbursement Pipe

To set up the water disbursement, you must first temporarily place it above where the slate will go. To do this, measure 2 inches up from the top-center of the wall bracket and place a push-pin at that spot. Next, hang the water disbursement on the push-pin against the wall with the horizontal drilled pipe facing outward. The vertical copper tube with vinyl tube attached should sit in the notch of the wall bracket. See picture. Feed the bottom of the vinyl tubing through the hole in the center of the rear splashguard. Attach the pump nozzle fitting to the vinyl tubing using the provided spring steel hose clamp. Repeat process for other pump and disperser.



6) Hang the Slates

You must check two things before you hang the slates: **1.** If you are using a “clock box” outlet behind the fountain you must now plug in the pump and the light kit (outlet should be off). **2.** Whether you use a “clock box” or a regular outlet beneath the fountain, you must run the Light Kit cord down through the slot in the middle of the Wall Bracket before you hang the slate. Hang the Vertical Splash Guard in the center of the wall bracket. Now hang one Slate on the Bracket so that the notch in the slate bracket lines up with one of the notches in the wall bracket. The slate should be about 3/8” in from the end of the pan. Hang the other Slate in the same fashion on the opposite end of the Bracket. **DO NOT PULL BOTTOM OF SLATE AWAY FROM WALL AFTER HANGING! DOING SO MAY DAMAGE MOUNTING BRACKET.**

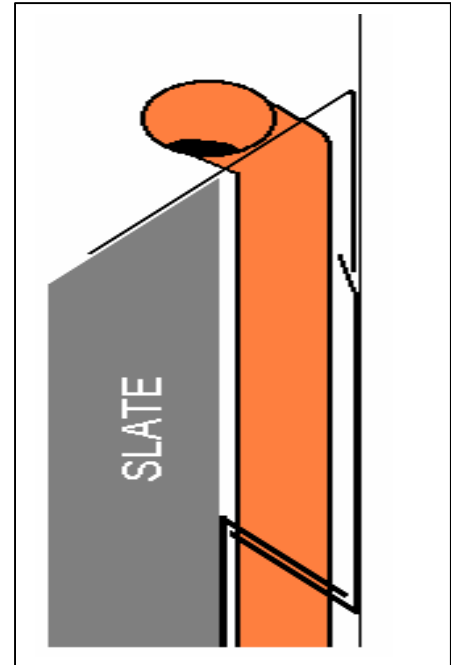


Double Nojoqui Falls Assembly & Mounting Instructions

Rev. A

7) Lower Water Disbursements on the Slates

Now take your pin out from the water disbursement and lower the water disbursement down onto the top edge of the slate. Make sure that the back edge of the water disbursement goes behind the top lip of the wall bracket. The water disbursement should rest like the one pictured. Center the disbursement on the slate. **Note:** Make sure that the leading edge of the water spillway fits tightly to the stone. Small gaps are ok, but nothing greater than 1/16" of an inch. If there are larger gaps simply pull the water disbursement up a few inches and shape it with your fingers to fit.



8) Place Splashguards

Slide on the front splashguard as shown. Find the opened hem side of the front splashguard. To locate the opened hem side, look at both hems and the one that is not pinched as tight is the opened hem. Place the front splashguard in the pan in front of the pump and slate. Slide the open hem on each side over the tab on the rear splashguard as shown in the picture at right.



9) Test Boot up

Fill the Reservoir Pan with water (distilled is stipulated). The level should be within ¼ to ½ inch of the top of the pan, it must cover the Pump. **Before you start the fountain all of the slate must be wet.** If not, the flowing water will not adhere to the slate and will tend to run off of the fountain. Using a spray bottle of water, wet the surface of the slate. This will allow the water to adhere to the surface of the slate. Now plug the fountain in and check the Water Disbursement for leaks. After a few seconds the water should flow evenly over the face of the fountain. Both outside edges of the Slates should be the same distance from the sides of the Reservoir Pan. Hang patina Shroud (Pan Cover) in place over reservoir pan.

Double Nojoqui Falls Assembly & Mounting Instructions

Rev. A

10) Mount Light Kit

Position the Light Kit so that it is visually pleasing, the middle of it should line up approximately with the top of the Slates. It also should be leveled and centered left to right over the Slates. Mark the two holes and then mount the kit with the supplied screws. Screw in the supplied bulbs.

11) Install Copper End Caps & Shroud

Hang patina Shroud (pan cover) in place over reservoir pan. The copper end caps are installed on the sides of the fountain. The top of the End Cap slips between the ends of the steel bracket and its Masonite backing. The bottom of the End Cap goes into the reservoir pan and slides over the Horizontal Splash Guard to clamp it in place.



Once running properly your fountain should require no further adjustment and if you keep it running (which keeps the water clean) you should enjoy many years of pleasant company.

Maintenance:

Check the water in your fountain periodically daily for a water level of 1/4" – 3/4" from the top of the reservoir pan. Water will evaporate from the fountain and adversely affect the performance of the water pump, which MUST be completely submerged for proper operation and longevity. NEVER ALLOW YOUR WATER PUMP TO OPERATE DRY!

The pumps are designed to provide exceptional pumping capacity with minimal maintenance. Please read the manufacturer's instruction sheet for important safety, operation, maintenance and warranty information. Also refer to the trouble shooting section.

Maintenance (con't):

Double Nojoqui Falls Assembly & Mounting Instructions

Rev. A

We have carefully hand-applied a patina finish to your fountain's copper components. If you like this finish as much as we do, it can be protected from natural oxidation by applying Turtle Wax, Hard Shell wax every two to three months. Pledge or another household furniture polish with a soft cloth will help with daily maintenance. Do not allow droplets of water to accumulate on the copper parts for a long period of time. **DO NOT USE COPPER CLEANER**, as this will remove the patina, leaving the original bright copper finish.

Trouble-shooting:

Pump is too noisy: Make sure the pump is not vibrating against the side of the pan. Be sure the pump's output nozzle is securely inserted into the fountain's clear intake tube as forced water escaping the connection may cause unwanted air bubble noise. Make sure the pump is completely submerged.

Uneven water flow: Check that the Copper Water Dispersment lays flat along the top of the slate and that all the holes in the pipe are flowing. If you think something may be blocking the holes, use a paperclip to free any debris.

Water does not flow: Make sure pump output nozzle is inserted into plastic intake tube, pump is completely submerged and the power receptacle is switched to an "ON" position. Make sure the plastic hose is securely attached to the water dispersment pipe. If the pump appears that it has "died", hit the side of it with a hand, as the magnet inside can get stuck if the fountain is turned off. There are pump cleaning and repair instructions posted on our website, www.waterwonders.com.

If you have any questions concerning the set-up of this fountain, do not hesitate to call our Custom Department at 800-549-1880.

Note: Although Water Wonders Fountains are designed not to splash, sweating from condensation and splashing droplets can occur if set up incorrectly. As a precaution against water stains, please protect fine surfaces under and near fountain.